

## Fittings aus Messing

### Brass fittings



### Features

- ▶ für verschiedenste Einsatzzwecke
- ▶ für Anschlüsse von M5 bis 2"
- ▶ mit vernickelter oder blanker Oberfläche

- ▶ For various applications
- ▶ For connections from M5 to 2"
- ▶ With nickel-plated or polished surface

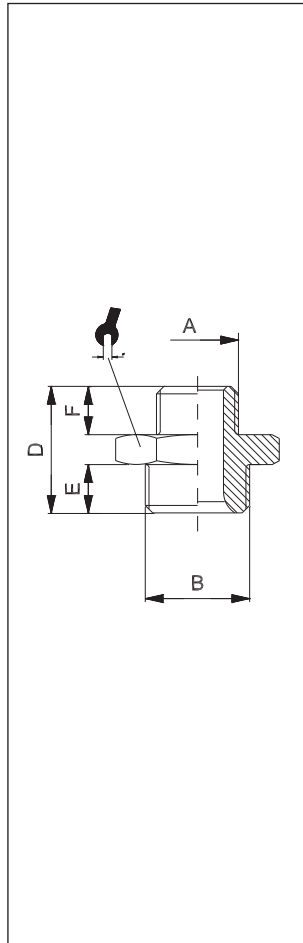
## Technische Daten **Technical data**

---

Betriebstemperatur	max. +150°C
Betriebsdruck	bis 60bar
Werkstoffe	Messing (Ms58) vernickelt und blank
Gewinde	DIN 3852 DIN 3858
Medium	Luft, Wasser, Öl, Dampf, etc.

---

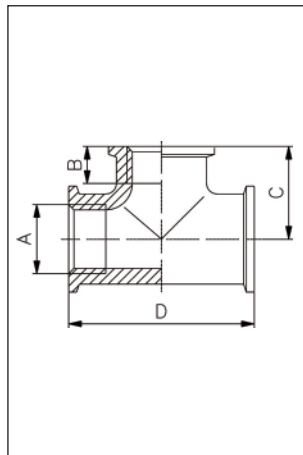
Operating temperature	Max +150°C
Operating pressure	Up to 60 bar
Materials	Brass (Ms58) nickel-plated and polished
Thread	DIN 3852 DIN 3858
Medium	Air, water, oil, steam, etc.



## Doppelnippel, zyl.

Double nipple, cyl.

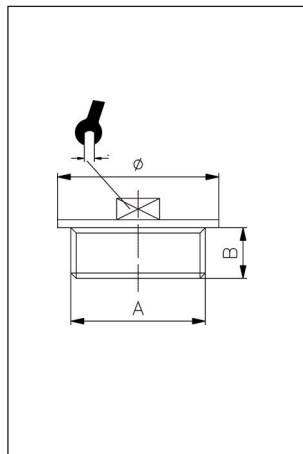
ITV	A	B	D	E	F		
401500	M5	G <sup>1</sup> / <sub>8</sub>	17	7	5	13	100
401501	M5	M5	14	5	5	8	100
401502	G <sup>1</sup> / <sub>8</sub>	G <sup>1</sup> / <sub>8</sub>	19	7	7	14	100
401503	G <sup>1</sup> / <sub>8</sub>	G <sup>1</sup> / <sub>4</sub>	22	10	7	17	100
401505	G <sup>1</sup> / <sub>4</sub>	G <sup>1</sup> / <sub>4</sub>	25	10	10	17	100
401506	G <sup>1</sup> / <sub>4</sub>	G <sup>3</sup> / <sub>8</sub>	25	10	10	22	100
401511	G <sup>1</sup> / <sub>4</sub>	G <sup>1</sup> / <sub>2</sub>	25	9	9	22	100
401508	G <sup>3</sup> / <sub>8</sub>	G <sup>3</sup> / <sub>8</sub>	25	10	10	22	100
401509	G <sup>3</sup> / <sub>8</sub>	G <sup>1</sup> / <sub>2</sub>	28	12	10	27	100
401510	G <sup>3</sup> / <sub>8</sub>	G <sup>3</sup> / <sub>4</sub>	24	9	10	27	100
401512	G <sup>1</sup> / <sub>2</sub>	G <sup>1</sup> / <sub>2</sub>	30	12	12	27	100
401514	G <sup>1</sup> / <sub>2</sub>	G <sup>3</sup> / <sub>4</sub>	31	12	12	32	100
401515	G <sup>3</sup> / <sub>4</sub>	G <sup>3</sup> / <sub>4</sub>	31	12	12	32	100
401516	G <sup>3</sup> / <sub>4</sub>	G1	35	15	12	41	50
401518	G1	G1	38	15	15	41	25
401519	G1 <sup>1</sup> / <sub>4</sub>	G1	38	15	15	42	10
401521	G1 <sup>1</sup> / <sub>4</sub>	G1 <sup>1</sup> / <sub>4</sub>	38	16	16	42	10
401520	G1 <sup>1</sup> / <sub>4</sub>	G1 <sup>1</sup> / <sub>2</sub>	41	18	16	50	10
401522	G1 <sup>1</sup> / <sub>2</sub>	G1 <sup>1</sup> / <sub>2</sub>	45	18	18	50	10
401523	G1 <sup>1</sup> / <sub>2</sub>	G2	50	22	18	62	10
401525	G2	G2	54	22	22	64	1
401526	G2	G2 <sup>1</sup> / <sub>2</sub>	57	22	22	80	1



## T-Stück - blank

Female T

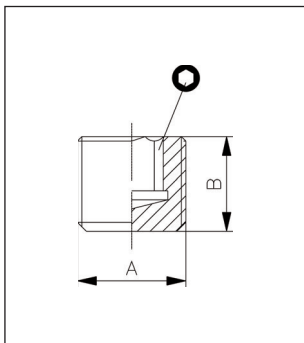
ITV	A	B	C	D	
401613	G <sup>1</sup> / <sub>4</sub>	10	16,5	35	10
401614	G <sup>3</sup> / <sub>8</sub>	11	22,5	44	10
401615	G <sup>1</sup> / <sub>2</sub>	13	25,5	51	10
401616	G <sup>3</sup> / <sub>4</sub>	15	29,5	59	10
401617	G1	16	34	75	10
401618	G1 <sup>1</sup> / <sub>4</sub>	18	44	89	10
401619	G1 <sup>1</sup> / <sub>2</sub>	18	47	92	1
401620	G2	20	51	104	1



## Stopfen - blank

Parallel male plug

ITV	A	B	Ø		
401716	G <sup>3</sup> / <sub>4</sub>	8	34	14	10
401717	G1	9	40	17	10
401718	G1 <sup>1</sup> / <sub>4</sub>	10	52	19	10
401719	G1 <sup>1</sup> / <sub>2</sub>	10	60	22	10
401720	G2	13	73	24	10

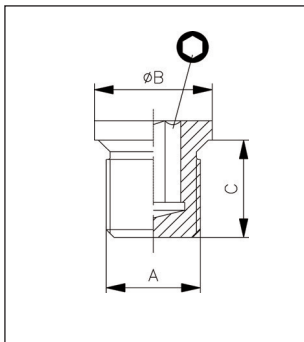


### Verschlusschraube DIN 906

vernickelt, Innensechskant ohne Bund

Male plug DIN 906

ITV	A	B		
401742	R <sup>1</sup> / <sub>8</sub>	8	5	100
401743	R <sup>1</sup> / <sub>4</sub>	10	6	100
401744	R <sup>3</sup> / <sub>8</sub>	11	8	100
401745	R <sup>1</sup> / <sub>2</sub>	13	10	50
401746	R <sup>3</sup> / <sub>4</sub>	17	12	25

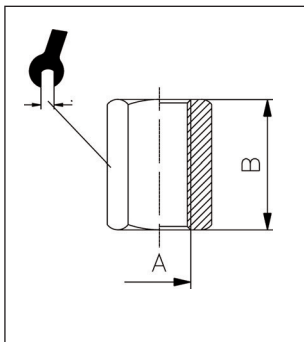


### Verschlusschraube

vernickelt, Innensechskant mit Bund

Parallel male plug

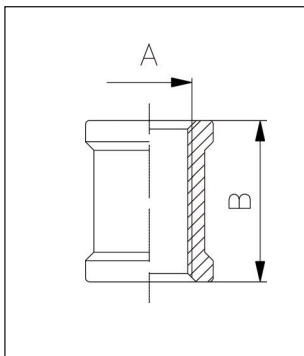
ITV	A	ØB	C		
401752	G <sup>1</sup> / <sub>8</sub>	14	8	5	100
401753	G <sup>1</sup> / <sub>4</sub>	18	12	6	100
401754	G <sup>3</sup> / <sub>8</sub>	22	12	8	100
401755	G <sup>1</sup> / <sub>2</sub>	26	14	10	50
401756	G <sup>3</sup> / <sub>4</sub>	32	16	12	50



### Muffe - Sechskant, vernickelt

Sleeve

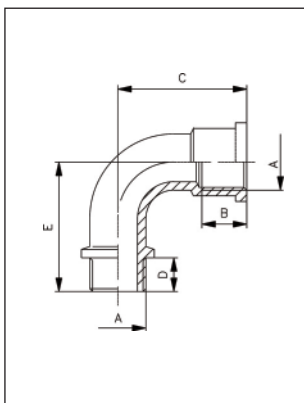
ITV	A	B		
401801	M5	10	8	100
401802	G <sup>1</sup> / <sub>8</sub>	15	13	100
401803	G <sup>1</sup> / <sub>4</sub>	22	17	100
401804	G <sup>3</sup> / <sub>8</sub>	22	22	100
401805	G <sup>1</sup> / <sub>2</sub>	26	27	50
401806	G <sup>3</sup> / <sub>4</sub>	34	32	25
401807	G1	38	41	10



### Muffe - rund, blank

Sleeve

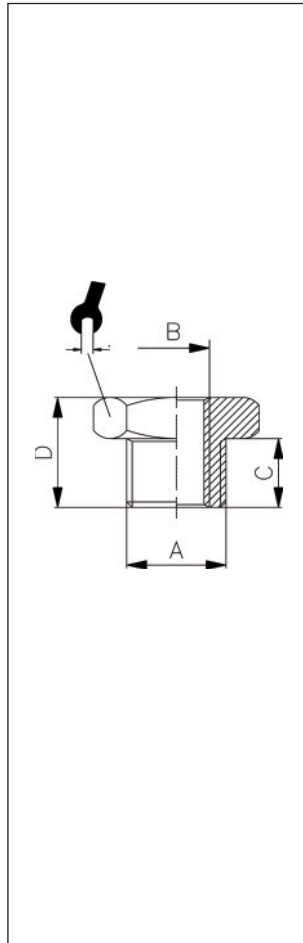
ITV	A	B	
401815	G <sup>1</sup> / <sub>2</sub>	30	10
401816	G <sup>3</sup> / <sub>4</sub>	30	10
401817	G1	32	10
401818	G1 <sup>1</sup> / <sub>4</sub>	38	10
401819	G1 <sup>1</sup> / <sub>2</sub>	40	10
401820	G2	43	10
401821	G2 <sup>1</sup> / <sub>2</sub>	55	1
401822	G3	65	1



### Winkel 90° - Innen-Außen, blank

Male - female elbow

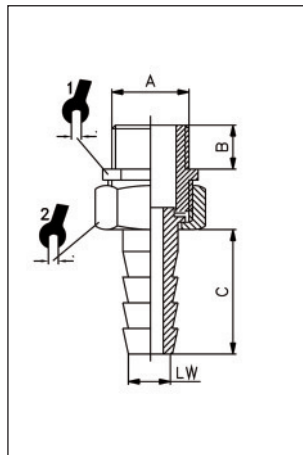
ITV	A	B	C	D	E	
401643	G <sup>1</sup> / <sub>4</sub>	10	25	8	26	10
401644	G <sup>3</sup> / <sub>8</sub>	12	28	9	31	10
401645	G <sup>1</sup> / <sub>2</sub>	11	31	10	35	10
401646	G <sup>3</sup> / <sub>4</sub>	15	38	12	42	10
401647	G1	17	46	14	46	10
401648	G1 <sup>1</sup> / <sub>4</sub>	16	54	17	55	10
401649	G1 <sup>1</sup> / <sub>2</sub>	21	60	20	65	1
401650	G2	23	76	22	71	1



## Reduzierung

Reducer

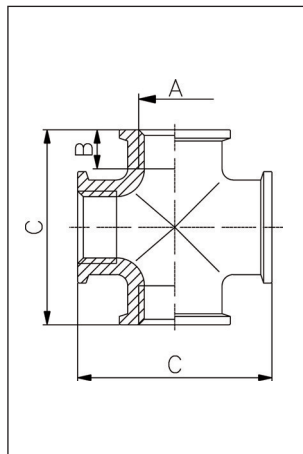
ITV	A	B	C	D		
401301	G $\frac{1}{8}$	M5	7	11	13	100
401302	G $\frac{1}{4}$	G $\frac{1}{8}$	9	13	17	100
401303	G $\frac{3}{8}$	G $\frac{1}{4}$	10	15	19	100
401304	G $\frac{3}{8}$	G $\frac{1}{8}$	9	14	19	100
401306	G $\frac{1}{2}$	G $\frac{1}{4}$	10	15,5	24	50
401307	G $\frac{1}{2}$	G $\frac{1}{8}$	10	15,5	24	50
401308	G $\frac{1}{2}$	G $\frac{3}{8}$	10	15,5	24	50
401309	G $\frac{3}{4}$	G $\frac{1}{2}$	12	19	32	50
401310	G $\frac{3}{4}$	G $\frac{3}{8}$	12	19	32	50
401311	G $\frac{3}{4}$	G $\frac{1}{4}$	12	19	32	50
401312	G1	G $\frac{3}{4}$	15	23	41	25
401313	G1	G $\frac{1}{2}$	15	23	41	25
401314	G1	G $\frac{3}{8}$	15	23	41	25
401315	G1 $\frac{1}{4}$	G1	15	22	42	10
401316	G1 $\frac{1}{4}$	G $\frac{3}{4}$	15,5	22	42	10
401317	G1 $\frac{1}{4}$	G $\frac{1}{2}$	15,5	22	42	10
401318	G1 $\frac{1}{2}$	G1 $\frac{1}{4}$	15	23	50	10
401319	G1 $\frac{1}{2}$	G1	17	25	50	10
401320	G1 $\frac{1}{2}$	G $\frac{3}{4}$	15,5	22	50	10
401321	G2	G1 $\frac{1}{2}$	18	26,5	60	10
401322	G2	G1 $\frac{1}{4}$	15	24,5	60	10
401323	G2	G1	18	26	60	10
401324	G2 $\frac{1}{2}$	G2	22	30	78	1



## Standrohrverschraubung - blank

Parallel straight adaptor, full brass

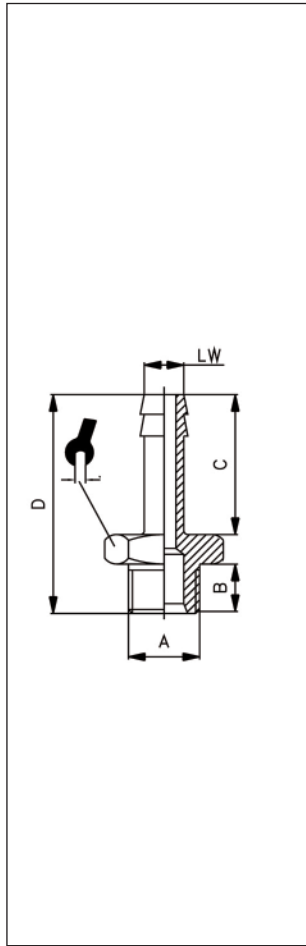
ITV	A	LW	B	C			
401401	G $\frac{3}{8}$	10	9	22	22	27	100
401402	G $\frac{1}{2}$	13	10	23	27	34	100
401403	G $\frac{3}{4}$	19	10	24	34	42	100
401404	G1	25	15	32	42	50	100
401405	G1 $\frac{1}{4}$	32	16	38	50	55	100
401406	G1 $\frac{1}{2}$	38	18	47	55	58	50
401407	G2	50	22	56	70	77	50



## Kreuzstück - blank

Female cross

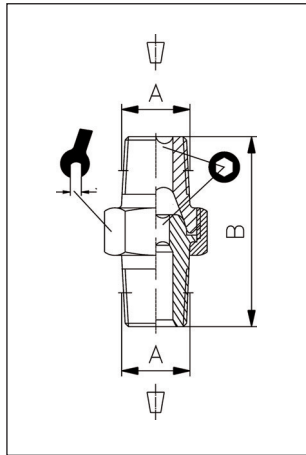
ITV	A	B	C	
401604	G $\frac{3}{8}$	12,0	43	25
401605	G $\frac{1}{2}$	16,5	49	25
401606	G $\frac{3}{4}$	15,7	62	10
401607	G1	20,5	80	10



### 1/3 - Verschraubung

Hose connector 1/3

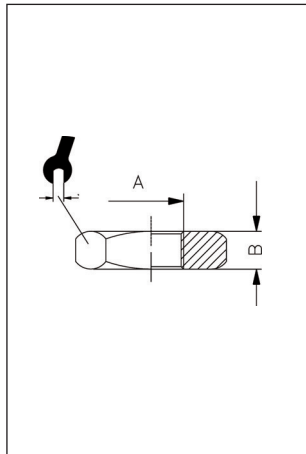
ITV	LW	A	B	C	D		
401002	3	M5	4,5	9	16	8	100
401012	6	G <sup>1</sup> / <sub>4</sub>	9	22	36	17	100
401014	9	G <sup>1</sup> / <sub>4</sub>	9	22	36	17	100
401015	10	G <sup>1</sup> / <sub>4</sub>	8,5	22	36	17	100
401017	13	G <sup>1</sup> / <sub>4</sub>	9	25	40	17	100
401022	6	G <sup>3</sup> / <sub>8</sub>	9	18	36	19	100
401024	9	G <sup>3</sup> / <sub>8</sub>	9	22	36	19	100
401027	13	G <sup>3</sup> / <sub>8</sub>	10	34	48	19	100
401032	6	G <sup>1</sup> / <sub>2</sub>	10	26	41	24	100
401034	9	G <sup>1</sup> / <sub>2</sub>	10	26	41	24	100
401037	13	G <sup>1</sup> / <sub>2</sub>	10	35	50	24	100
401039	19	G <sup>1</sup> / <sub>2</sub>	11	30	47	24	25
401043	13	G <sup>3</sup> / <sub>4</sub>	12	25	44	30	25
401045	19	G <sup>3</sup> / <sub>4</sub>	13	30	49	32	25
401048	25	G <sup>3</sup> / <sub>4</sub>	10	35	51	32	25
401053	25	G1	13	35	56	37	25
401056	32	G1	10,5	38,5	55	38	10
401063	32	G <sup>1 1</sup> / <sub>4</sub>	12	39	58	50	10
401066	38	G <sup>1 1</sup> / <sub>2</sub>	14	47	68	55	10
401073	50	G2	19	54	80	70	10



### Doppelnippel lösbar - blank, kon.

Double nipple con. detachable

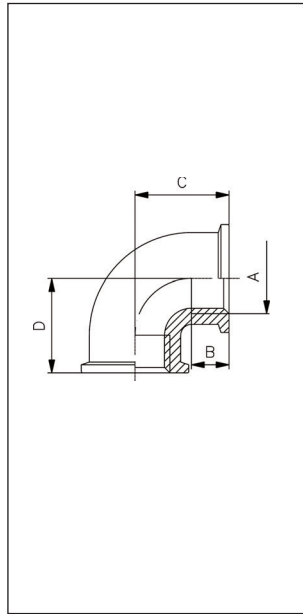
ITV	A	B	Ø			
306002	R <sup>1</sup> / <sub>8</sub>	27	5,3	15	5	25
306004	R <sup>1</sup> / <sub>4</sub>	34	6,3	19	6	25
306006	R <sup>3</sup> / <sub>8</sub>	36	8,5	22	8	10
306008	R <sup>1</sup> / <sub>2</sub>	40	13	27	12	10
306010	R <sup>3</sup> / <sub>4</sub>	52	15	36	14	10
306012	R1	65	20	46	19	5
306014	R <sup>1</sup> / <sub>8</sub> -R <sup>1</sup> / <sub>4</sub>	30	5,3	15	5	5
306015	R <sup>1</sup> / <sub>4</sub> -R <sup>3</sup> / <sub>8</sub>	35	6,3	19	6	5



### Kontermutter - vernickelt

Nut

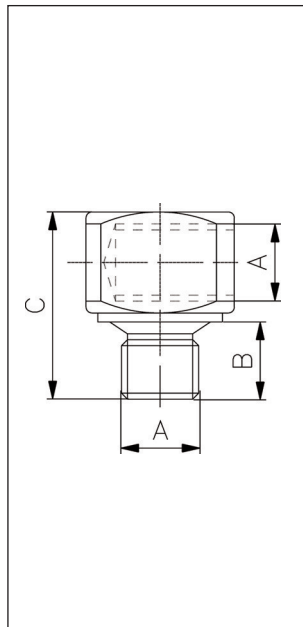
ITV	A	B		
401362	G <sup>1</sup> / <sub>8</sub>	4,5	14	100
401363	G <sup>1</sup> / <sub>4</sub>	5	17	100
401364	G <sup>3</sup> / <sub>8</sub>	4,5	22	100
401365	G <sup>1</sup> / <sub>2</sub>	5	27	50
401366	G <sup>3</sup> / <sub>4</sub>	5	32	50
401367	G1	8	41	10
401368	G <sup>1 1</sup> / <sub>4</sub>	6	50	10
401369	G <sup>1 1</sup> / <sub>2</sub>	7	56	10
401370	G2	8	68	10



### Winkel 90° - blank, Innen-Innengewinde

Elbow 90°

ITV	A	B	C	D	
401633	G <sup>1</sup> / <sub>4</sub>	8	15	15	10
401634	G <sup>3</sup> / <sub>8</sub>	12	20	20	10
401635	G <sup>1</sup> / <sub>2</sub>	13	24	24	10
401636	G <sup>3</sup> / <sub>4</sub>	15	30	30	10
401637	G1	18	33	33	10
401638	G1 <sup>1</sup> / <sub>4</sub>	18	47	47	10
401639	G1 <sup>1</sup> / <sub>2</sub>	19	52	52	1
401640	G2	22,5	60	60	1

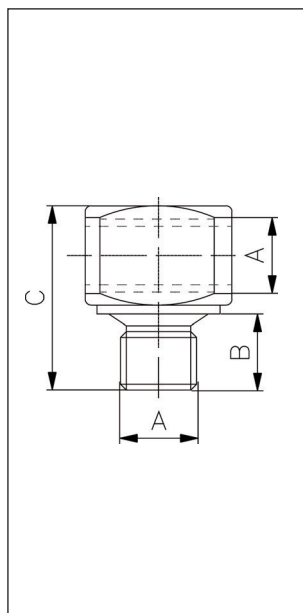


### Winkel in Blockform 90°

vernickelt, Innengewinde-Außengewinde

Blockshaped elbow 90°

ITV	A	B	C	
401901	M5	5	13	10
401902	G <sup>1</sup> / <sub>8</sub>	6,5	16,5	10
401903	G <sup>1</sup> / <sub>4</sub>	8	20	10



### T-Stück in Blockform - vernickelt,

2x Innengewinde - 1x Außengewinde

Blockshaped T - F.F.M.

ITV	A	B	C	
401922	G <sup>1</sup> / <sub>8</sub>	6,5	16,5	100
401923	G <sup>1</sup> / <sub>4</sub>	8	20	100